

08. Machine Mounts Type PSN

Level Mounts and Shock Absorbing Isolators



Machine Mounts Type PSN are leveling mounts for machine installation without ground anchoring. They support fast setup, stable positioning, and effective absorption of external shocks and high-frequency vibration.

Category	Machine / Leveling Mountings
Load Class	Production machinery and workshop installations
Tags	Machine Tools, Leveling, CNC, Shock Absorption, Shop Floor

Key Features

- No foundation or grouting required
- Built-in leveling adjustment for precise machine alignment
- Quick installation and easy relocation
- Improves machine stability and reduces transmitted vibration

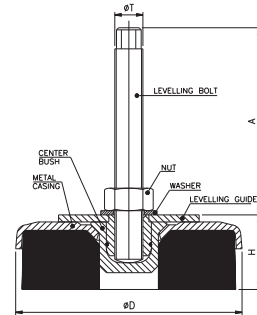
Typical Applications

- Machine tools, CNC machines, and production equipment
- Packaging and process machinery
- Flexible workshop layouts and machinery relocation
- Installations requiring leveling plus vibration control

MACHINE MOUNT - PSN

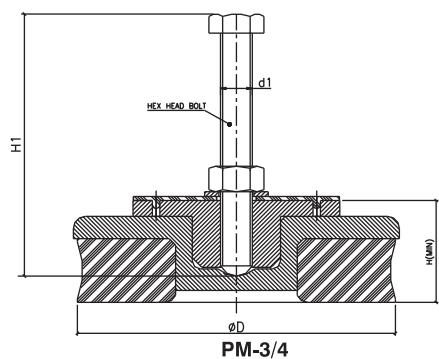
POLYBOND

Moulding Innovation into Global Bonds

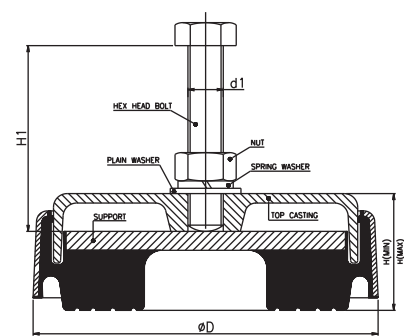


PART NO	PSN - 1	PSN - 2	PSN - 3
ØD	80 mm	120 mm	160 mm
H	38-50 mm	46-59 mm	53-68 mm
A	87 mm	79 mm	122 mm
ØT	M12x1.25	M16x1.5	M20x1.5
Optional Load Range	-	M12x1.25	M16x1.5
	50-500 Kg	200-1100 Kg	800-2100 Kg

MACHINE MOUNT - PM



PM-3/4



PM-1000/2500

PART NO	ØD	H		H1	Ød1	MAX. DEFL	LOAD (Kg)	NORMAL LOAD (Kg)
		MIN.	MAX					
PM - 3	160	57	70	250	M20x1.5	3	1000	1000 ± 300
PM - 4	200	64	80	250	M20x1.5	3	2200	2200 ± 300
PM - 1000	133	54	74	160	M16x1.5	2	1000	1000 ± 300
PM - 2500	195	66	86	180	M20x1.5	2	2500	2500 ± 300