

02. Core Mounts

Rubber Vibration Isolation Mountings



Core mounts are cylindrical rubber-metal bonded isolators used where reliable vibration control, compact size, and straightforward mounting are required. They are commonly selected for compressors, pumps, fans, engines, and industrial equipment.

Category	Rubber Mountings / Core Isolators
Load Class	Light to medium machinery and frame-mounted equipment
Tags	Radiators, Engines, Motors, Generators, Earth Moving

Key Features

- Cylindrical rubber core bonded to steel plates or studs
- Compression and shear vibration isolation
- Multiple mounting configurations including male/female studs
- Corrosion-protected metal components for industrial environments

Typical Applications

- Radiator mountings and engine mountings
- Electric motors and motor-driven machinery
- Small generators and power equipment
- Frame-mounted equipment and earth moving equipment

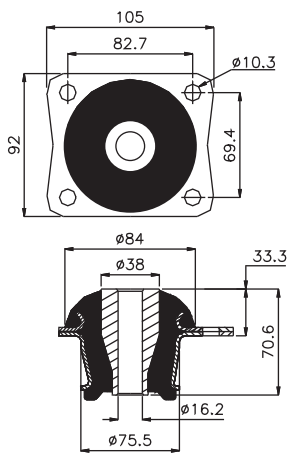
CORE MOUNTS



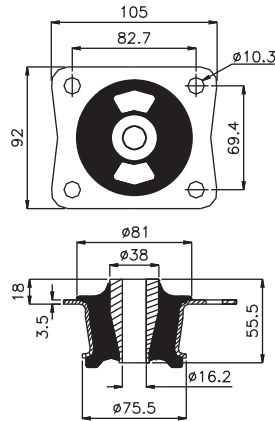
Moulding Innovation into Global Bonds



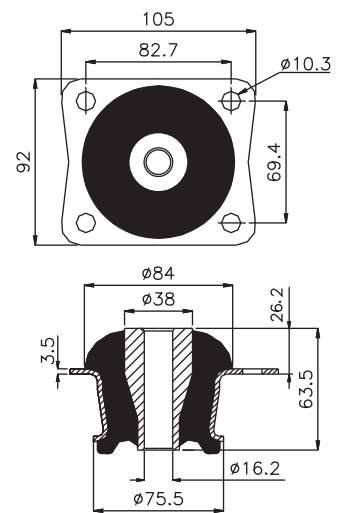
P-193



P-772



P-665



These core mounts when used with the right washers, provide a "fail-safe" feature, essential for many severe applications. Due to the high deflections possible these mounts provide good isolation and are extremely popular in mobile applications.

PART NO.		LOAD (Kg)	DEFLECTION (mm)
P - 193	A	250	6.0
P - 193	B	500	6.0
P - 193	C	600	4.8
P - 665	A	200	6.5
P - 665	B	350	5.4
P - 665	C	500	5.3
P - 772	A	120	6.8
P - 772	B	200	5.5
P - 772	C	250	4.7

